

# JPod Touch Schematic

## Table of Contents

Title	Page
Voltage Regulators	02 / 16
FLASH Memory Interface	03 / 16
USB and TPS6595 Control Interface	04 / 16
SDRAM Controller	05 / 16
Display Sub System and OLED Display	06 / 16
OMAP Power Supply	07 / 16
OMAP System and Control Pins + JTAG	08 / 16
OMAP Communication Pins + I <sup>2</sup> C	09 / 16
OMAP Image Sensor System	10 / 16
MMC and SD Card Expansion Slots	11 / 16
TSP6595 Audio In- + Outputs	12 / 16
TSP6595 Power Supply + Voltage Regulators for OMAP	13 / 16
TPS6595 System and Control Pins	14 / 16
TPS6595 I/O + Keyboard + Status LEDs	15 / 16
Battery Charge Regulator + External Connectors	16 / 16

## Revision History

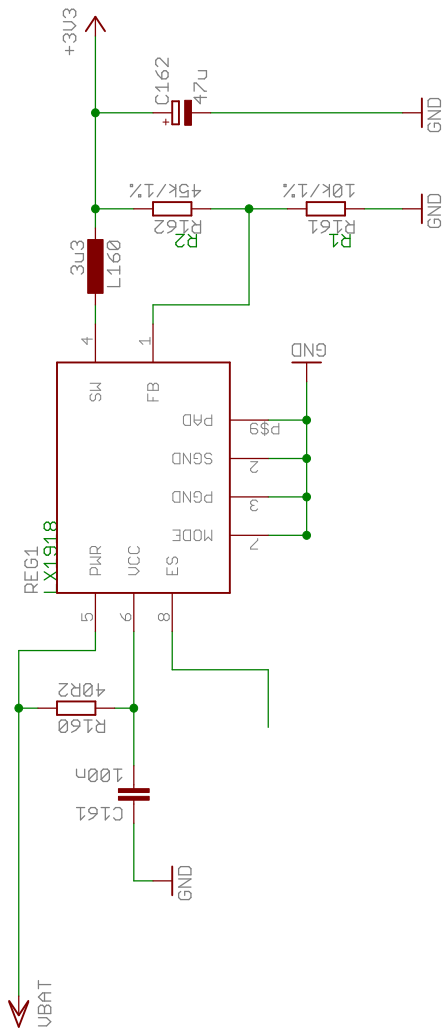
Date	Changed
08/09/09	First Release
09/09/09	Added TestPads for futher Extensions

jpod\_touch

10.9.2009 13:14:05

Sheet: 1/16

# 3.3V LinearRegulator 1.6A

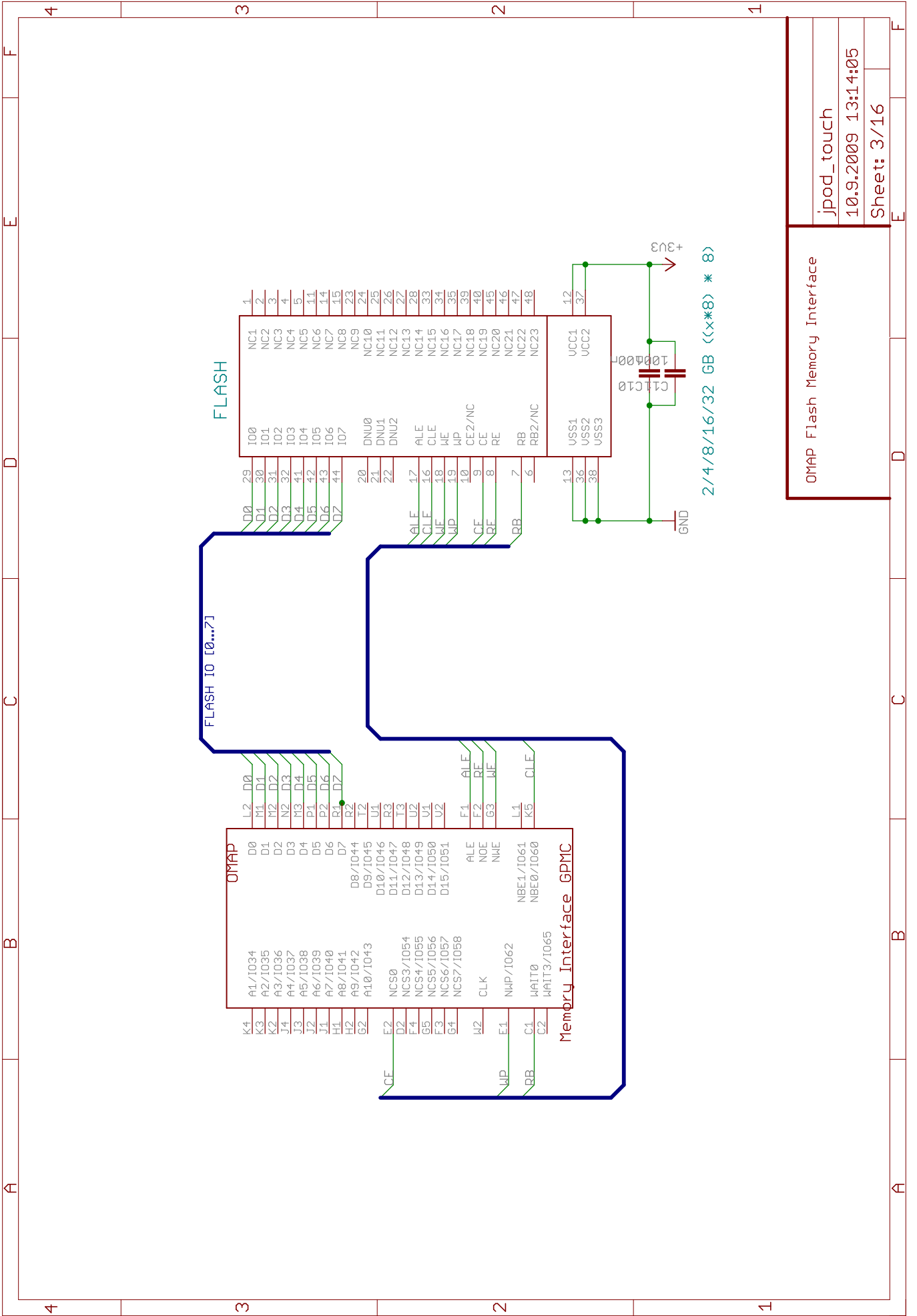


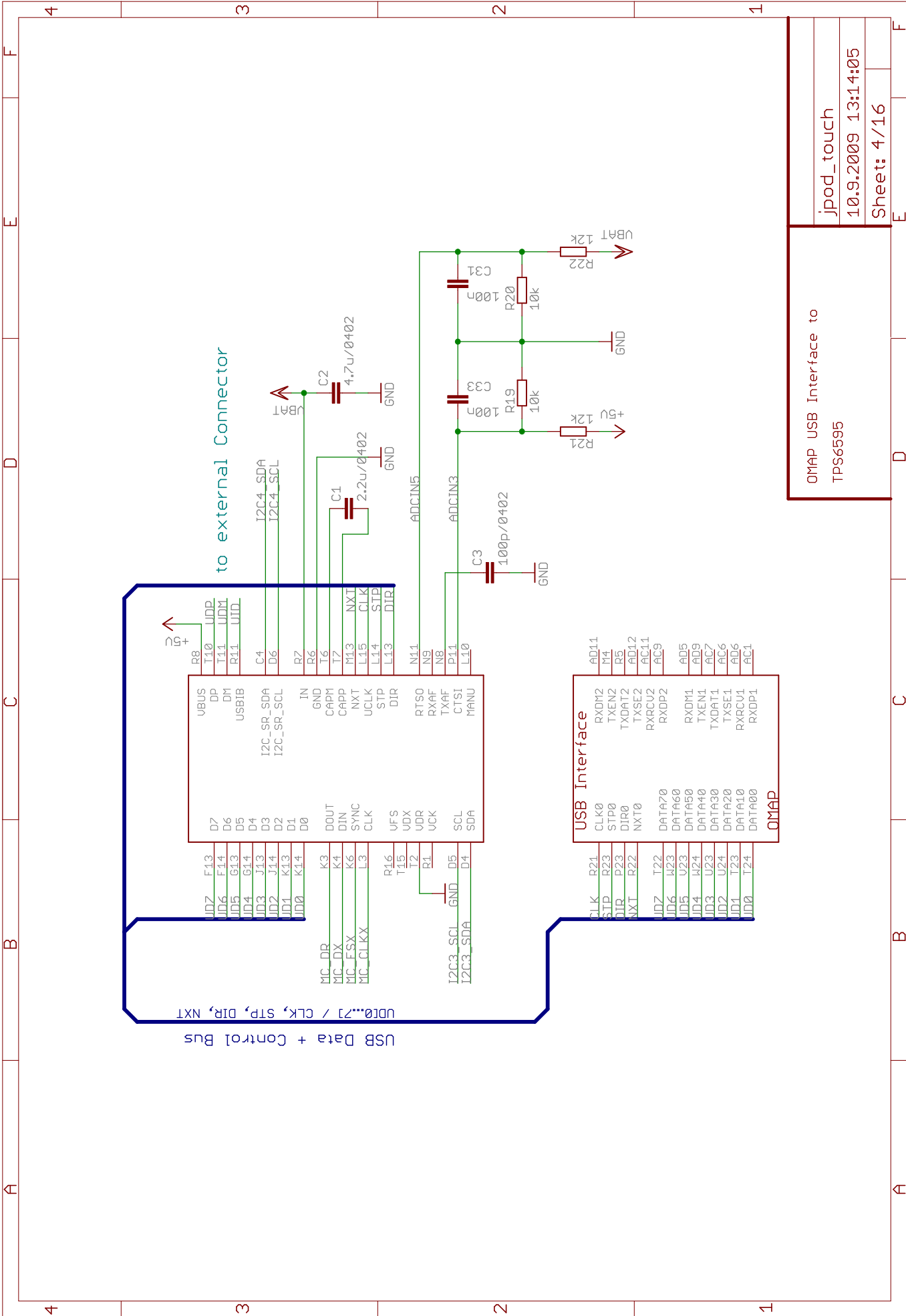
$$I = 0.6V / 10k = 0.00006A$$

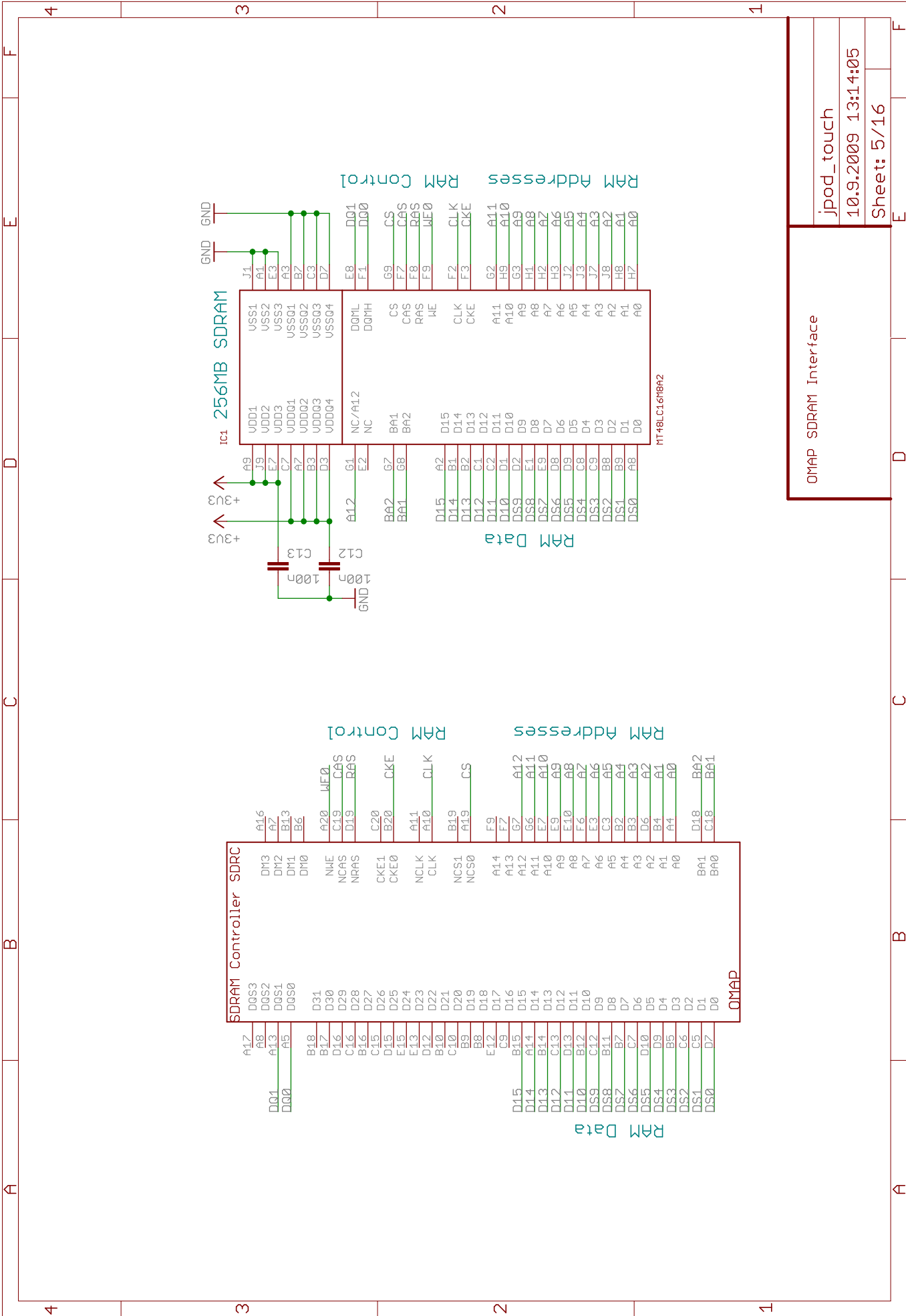
$$U_{reg} = 3.3V - 0.6V = 2.7V$$

$$R2 = U_{reg} / I = 2.7V / 0.00006A = 45k$$

jpod_touch	
10.9.2009 13:14:05	
Sheet: 2/16	



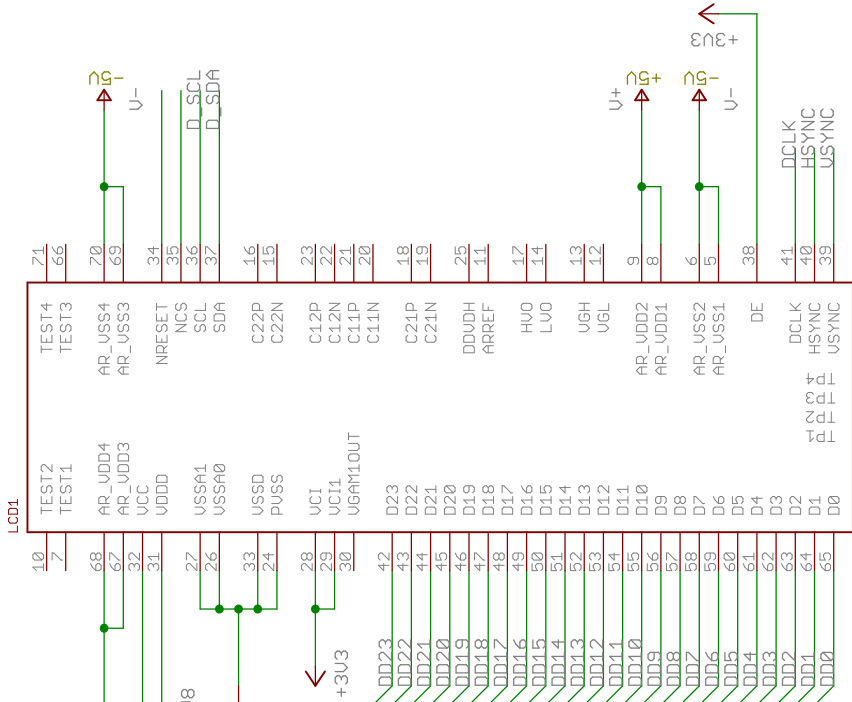




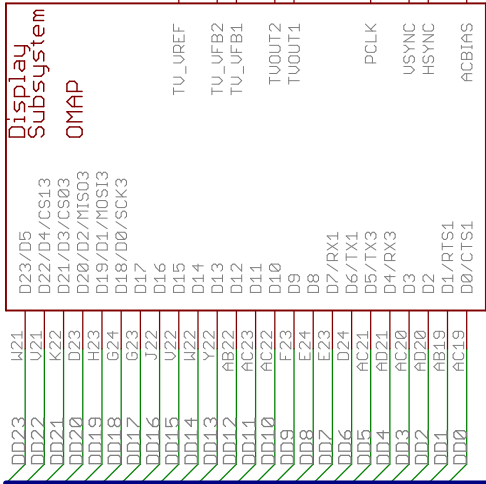
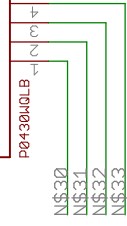
OMAP SDRAM Interface

jpod\_touch  
 10.9.2009 13:14:05  
 Sheet: 5/16

# OLED 272\*480



Touch screen Data

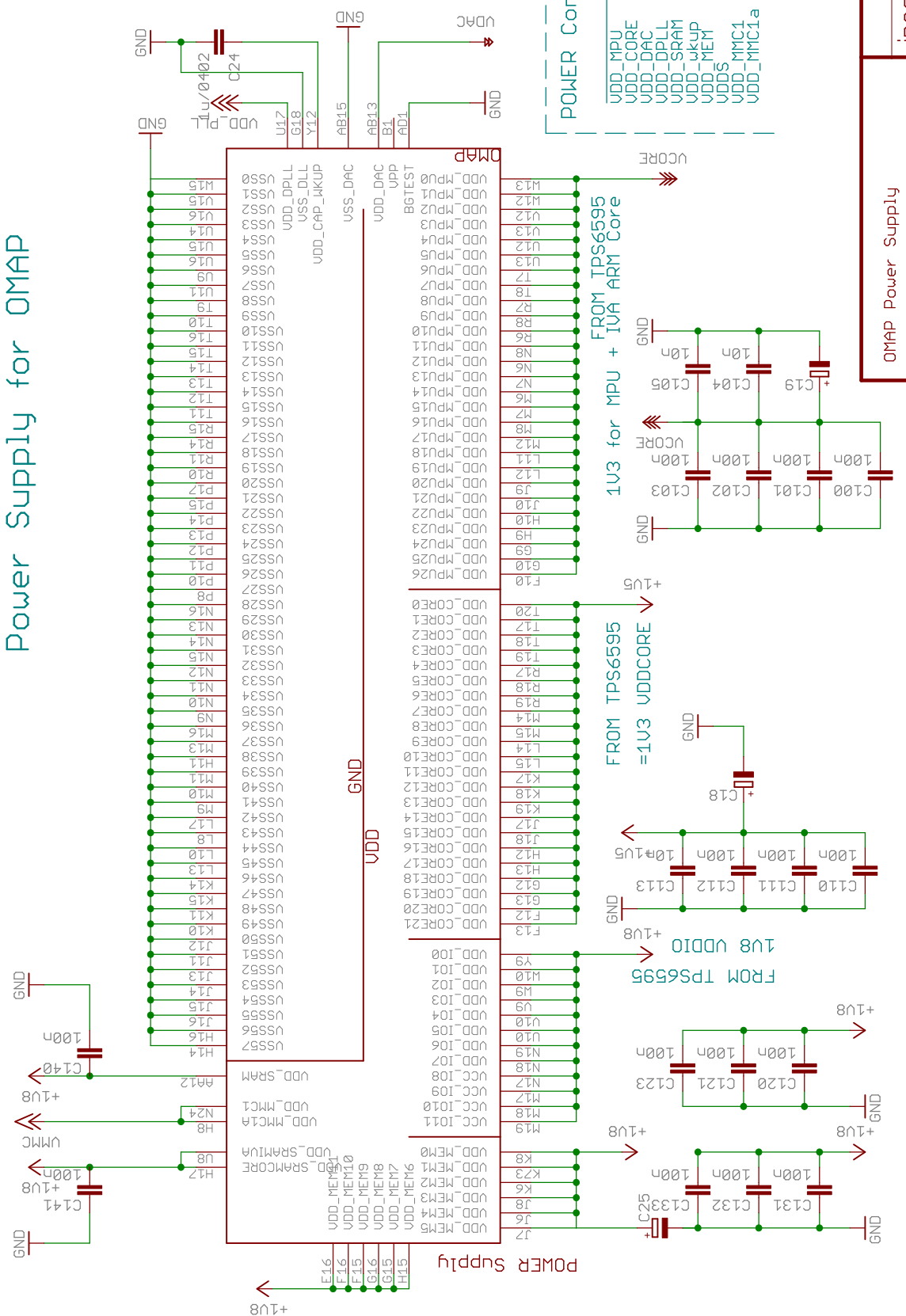


Display Data Bus DD0...23

OMAP DisplaySubSystem  
 OLED Display 272\*480

jpod\_touch  
 10.9.2009 13:14:05  
 Sheet: 6/16

# Power Supply for OMAP



**POWER Consumption OMAP**

VDD_MPU	UP to 1384mA
VDD_CORE	UP to 0509mA
VDD_DAC	UP to 0065mA
VDD_DPLL	UP to 0025mA
VDD_SRAM	UP to 0041mA
VDD_wkup	UP to 0006mA
VDD_MEH	UP to 0037mA
VDD5	UP to 0063mA
VDD_MMC1	UP to 0020mA
VDD_MMC1a	UP to 0002mA

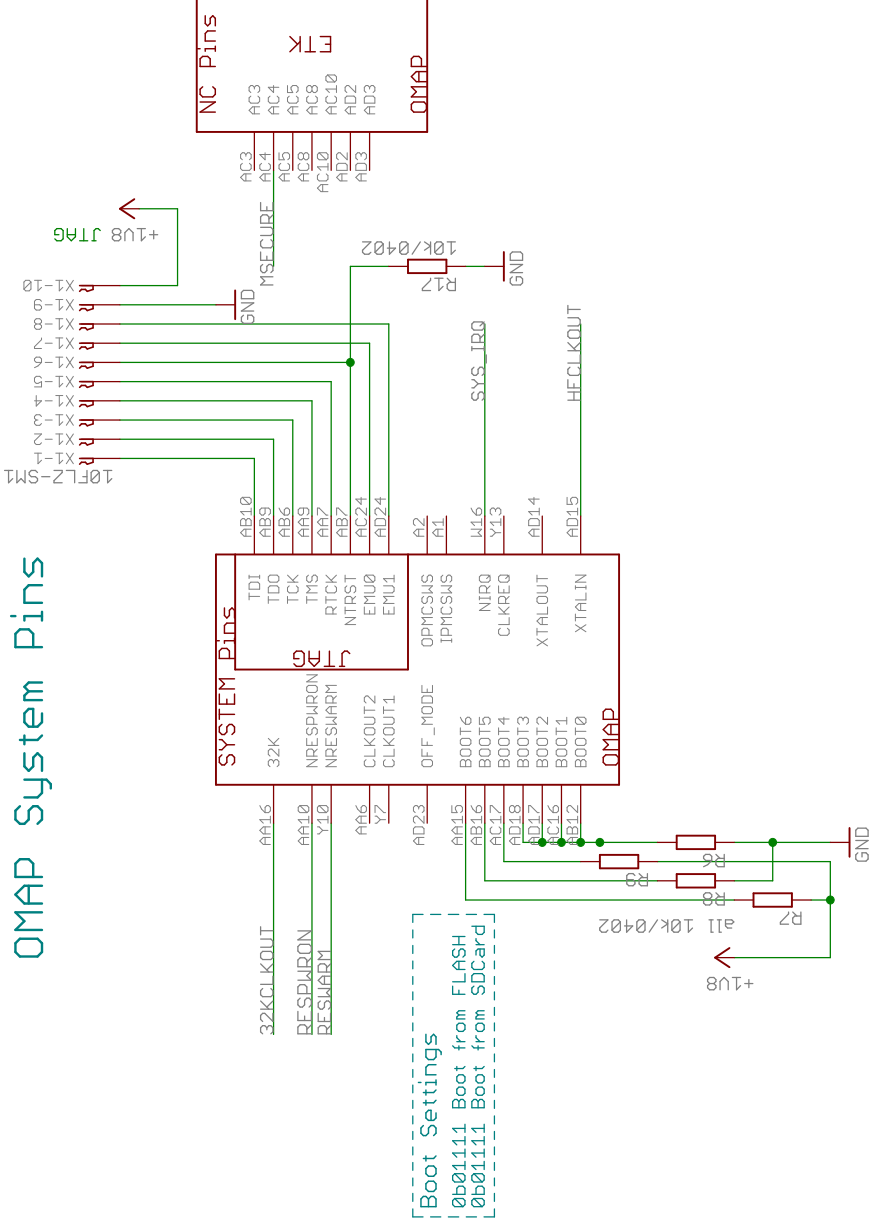
OMAP Power Supply

jpod\_touch

10.9.2009 13:14:05

Sheet: 7/16

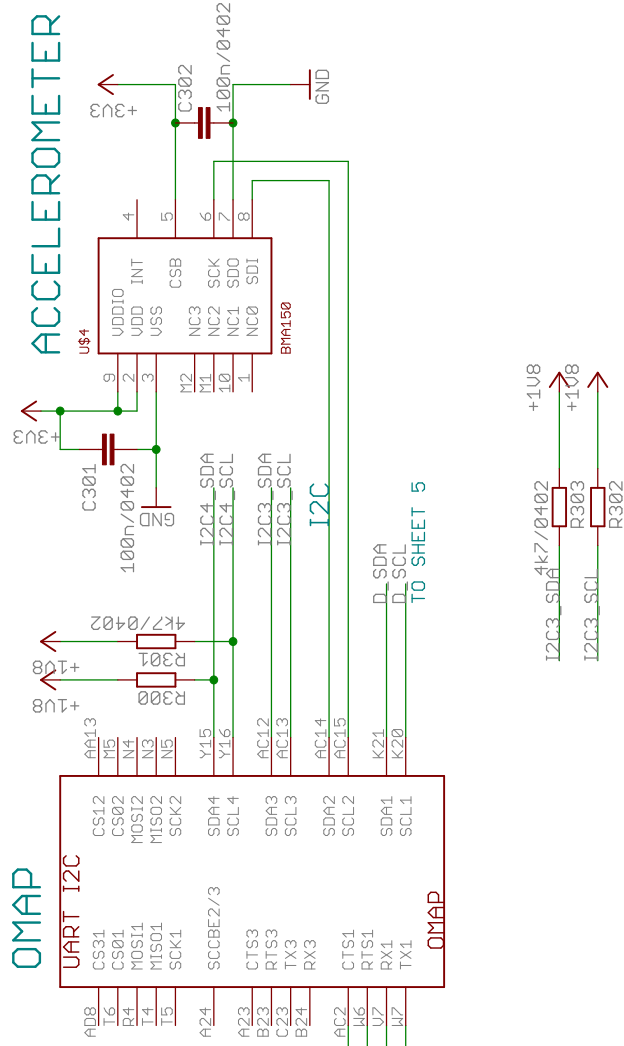
# OMAP System Pins



OMAP System + JTAG

jpod\_touch  
10.9.2009 13:14:05  
Sheet: 8/16

# OMAP Communication Ports

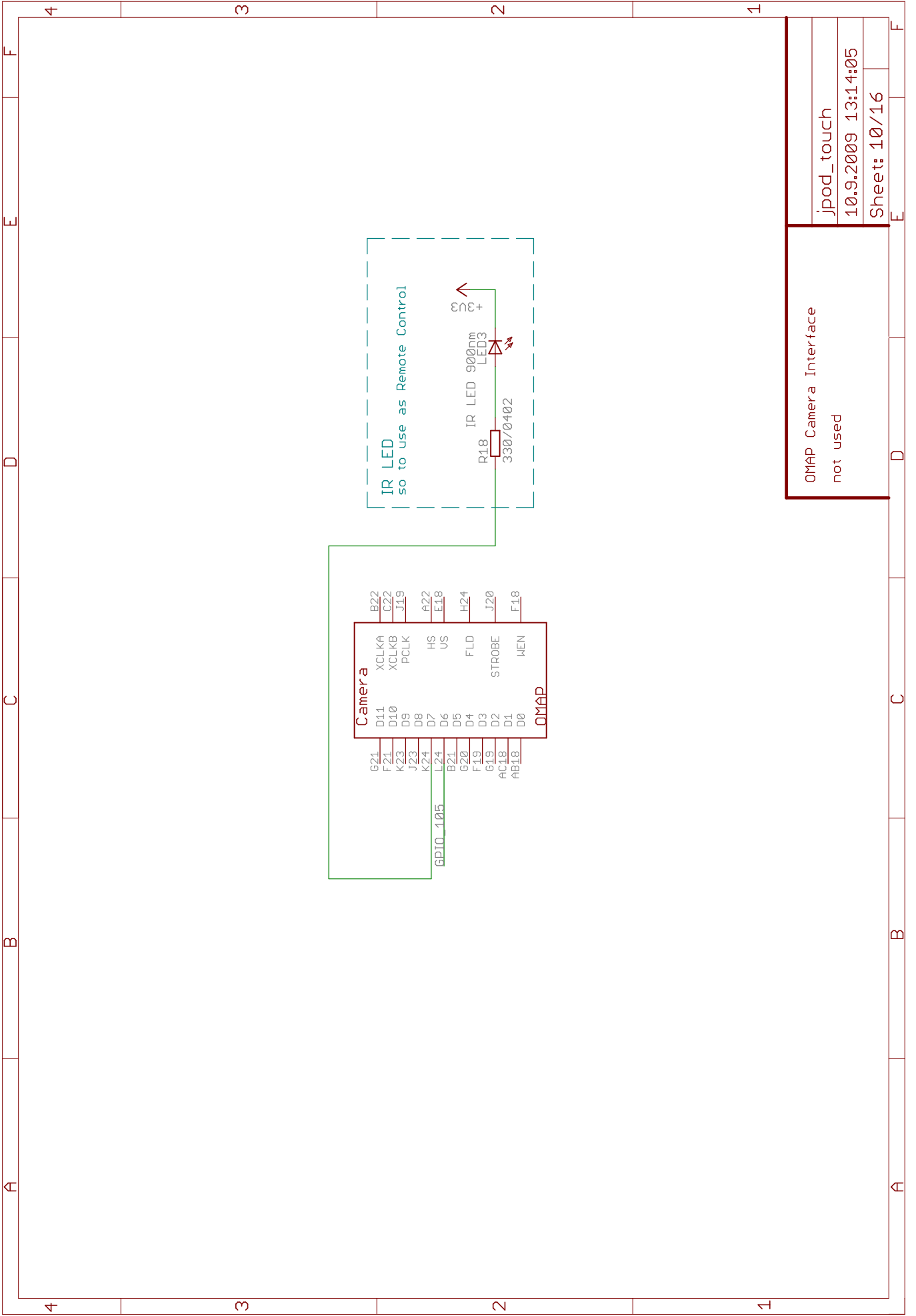


OMAP I<sup>2</sup>C and UARTS  
Accelerometer

jpod\_touch

10.9.2009 13:14:05

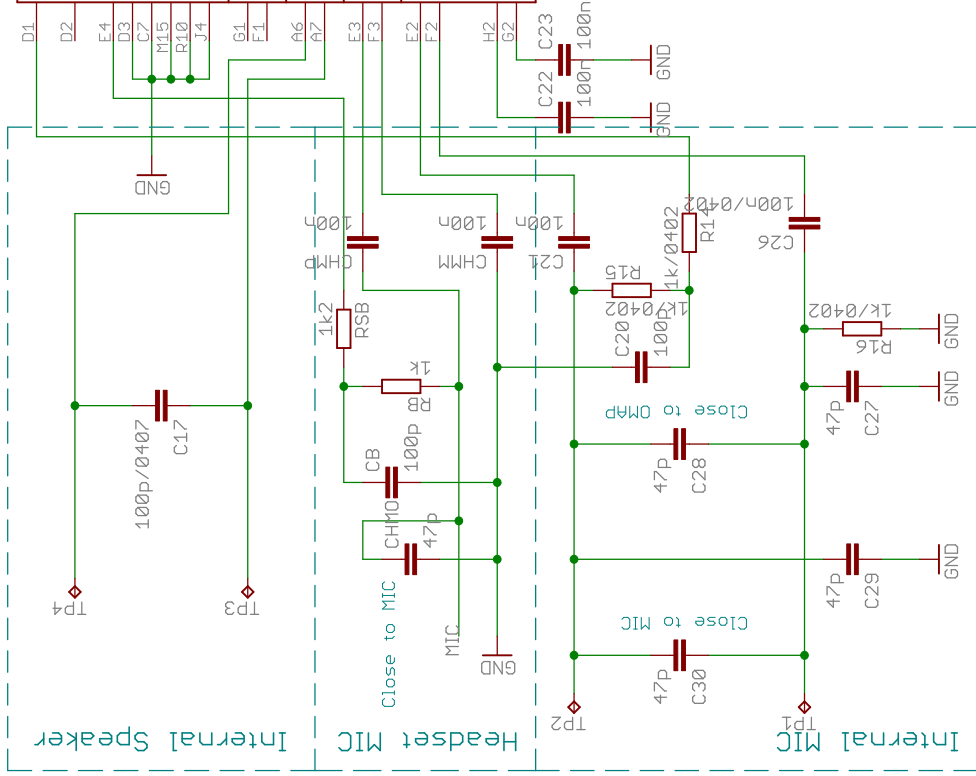
Sheet: 9/16



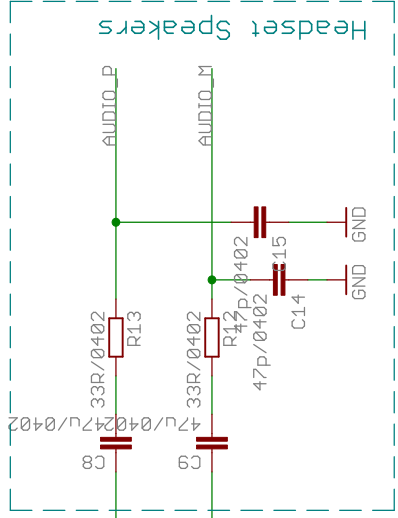
OMAP Camera Interface  
not used



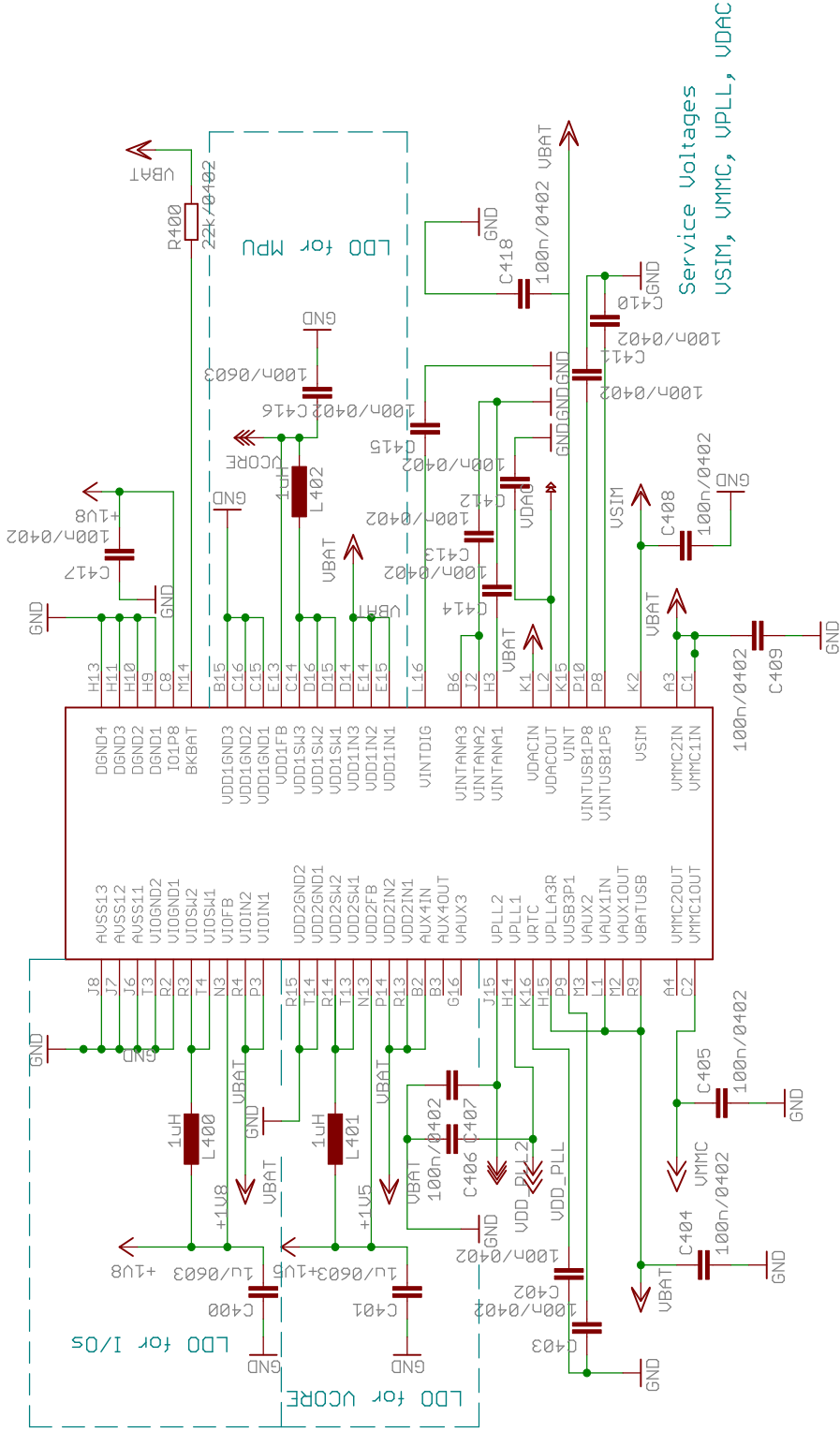
# Audio Interface controlled by I<sup>2</sup>C



MICBIAS10U	AUDIO Interface	D8
MICBIAS2OUT	TI	
UHSMICOUT	RX	B1
MICBIASGND	TX	B5
AVSS4	HSOR	B8
AVSS3	PRERIGHT	B7
AVSS2	PRELEFT	B4
AVSSL	HSOL	C12
AUXR	GND	C11
AUXL	GND	B12
EARP	IHFRIGHTM	B11
EARP	IHFRIGHTP	D12
HSET	VBATR2	D11
HSET	VBATR1	C10
HSMICP	GND	C9
HSMICP	GND	B10
MICMAINP	IHFLEFTM	B9
MICMAINM	IHFLEFTP	D10
MICSUBM	VBATL2	D9
MICSUBP	VBATL1	

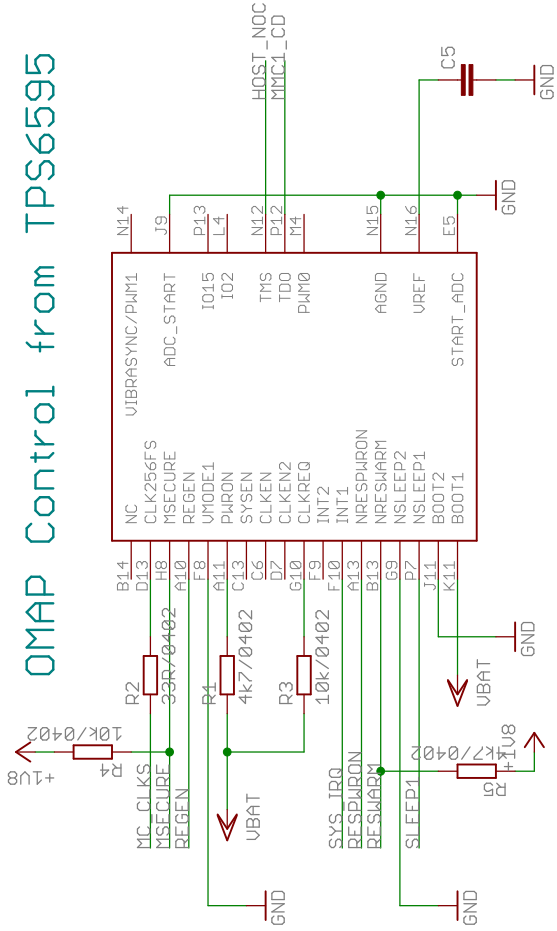


# Power Supply for OMAP



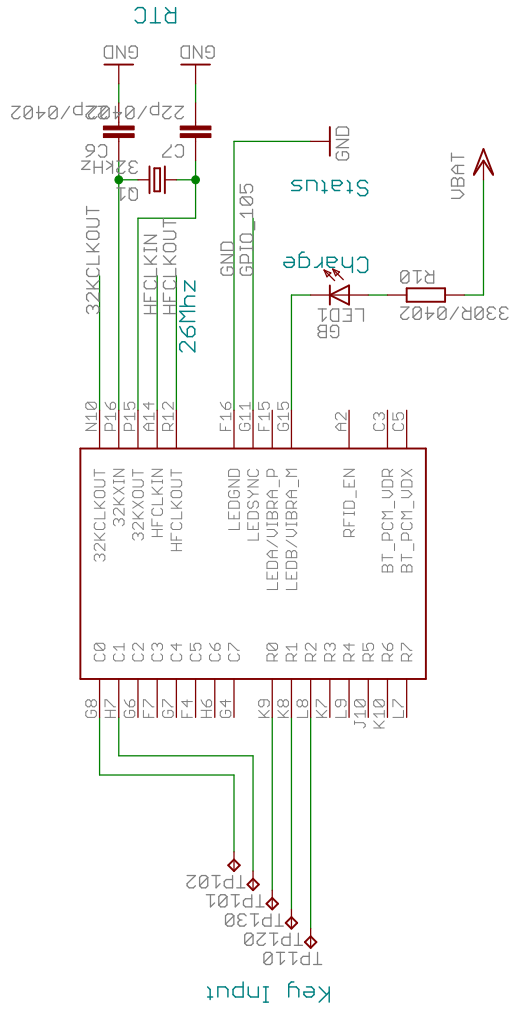
TPS6595 Power + LDO	
jpod_touch	
10.9.2009 13:14:05	
Sheet: 13/16	

# OMAP Control from TPS6595



TPS6595 System Control	
jpod_touch	
10.9.2009 13:14:05	
Sheet: 14/16	

# TPS6595 System + Control Interface



TPS6595 IO	
jpod_touch	
10.9.2009 13:14:05	
Sheet: 15/16	

