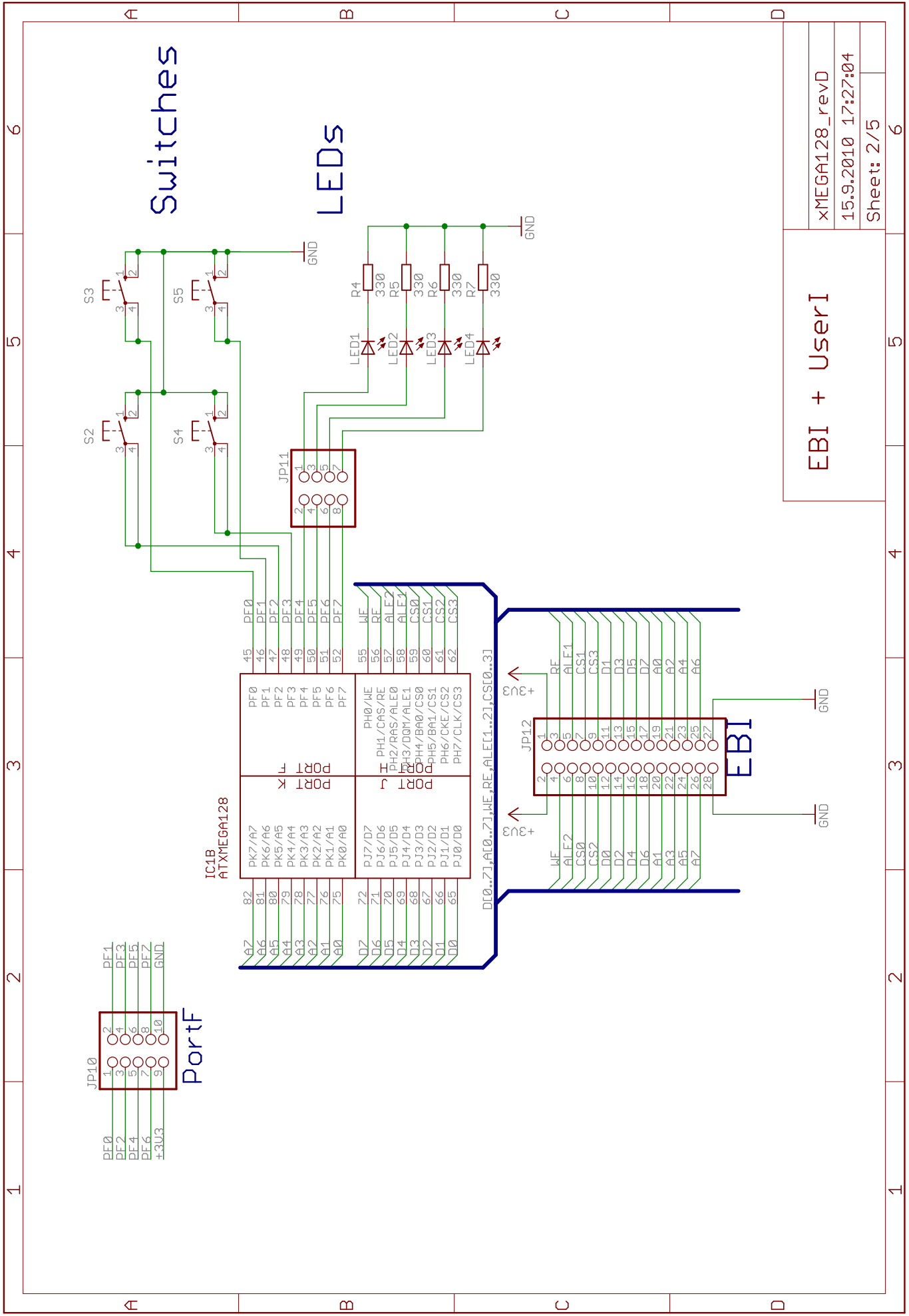


I/O + PDI	
xMEGA128_revD	
15.9.2010 17:27:04	
Sheet: 1/5	

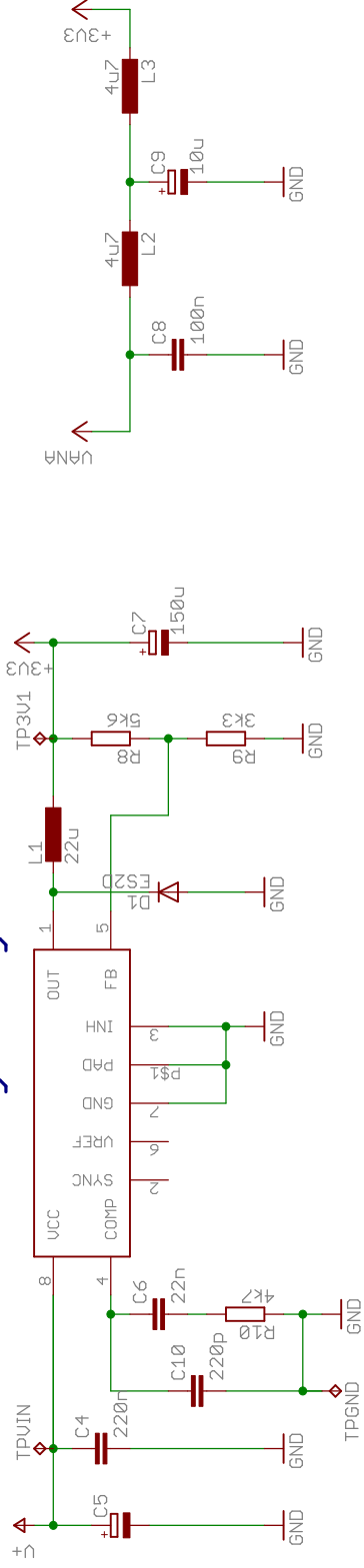
1 2 3 4 5 6

1 2 3 4 5 6

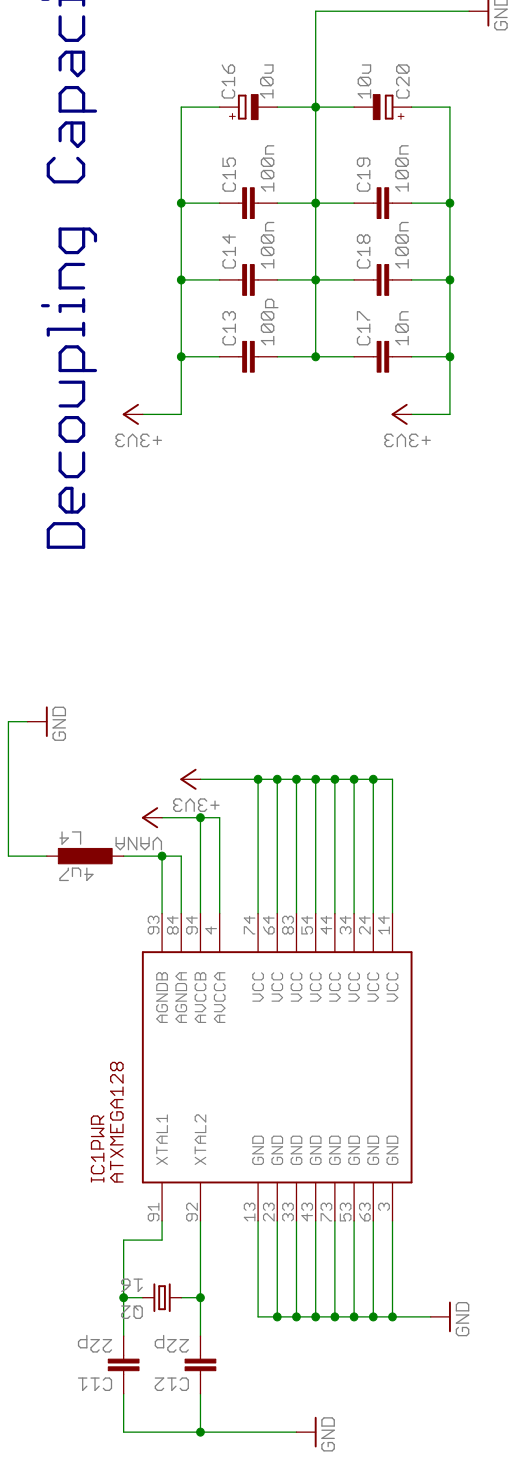


EB1 + UserI		xMEGA128_revD	6
		15.9.2010 17:27:04	6
		Sheet: 2/5	6

Switching Regulator



Decoupling Capacitors

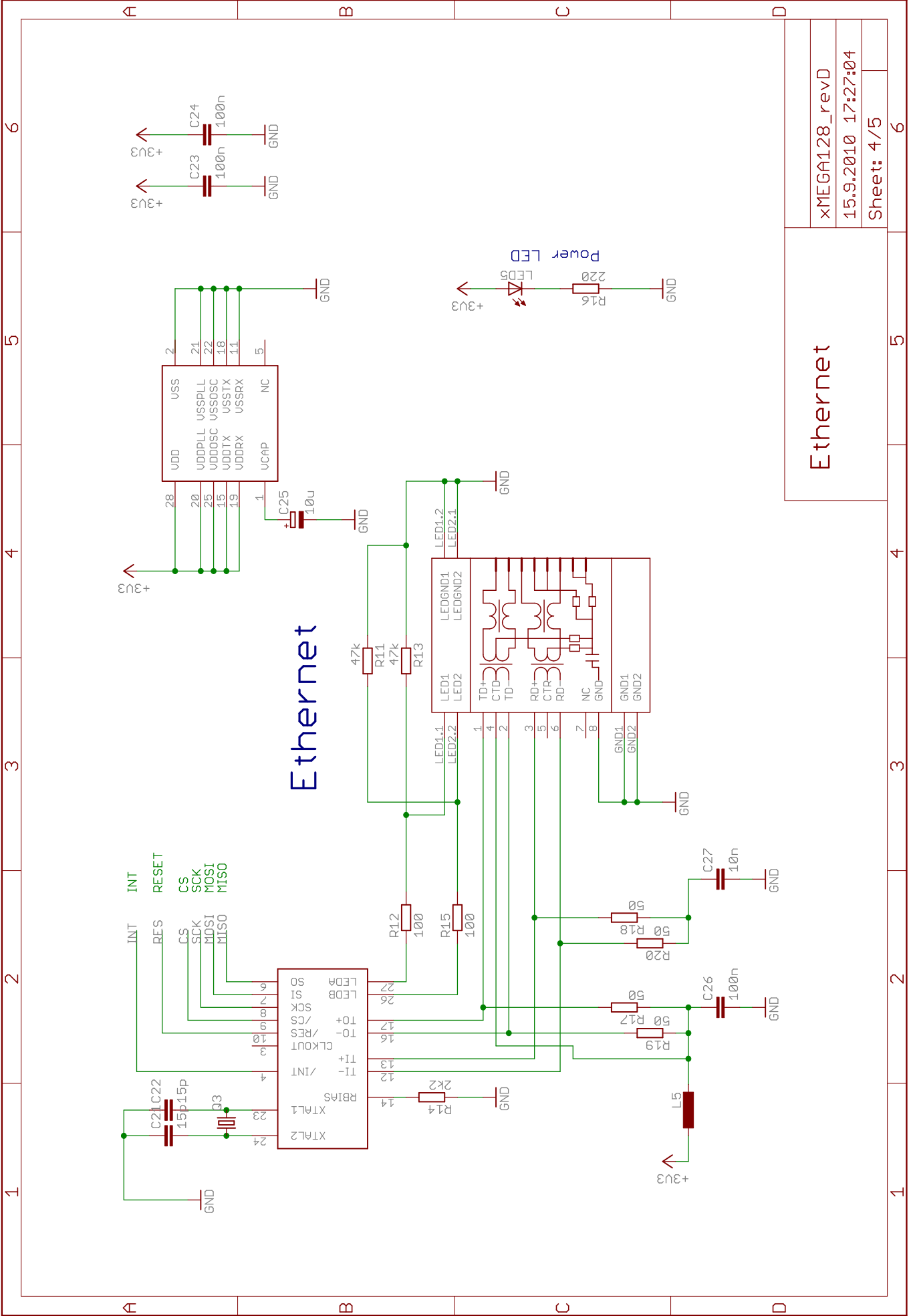


Power Supply

xMEGA128_revD

15.9.2010 17:27:04

Sheet: 3/5



Ethernet

Ethernet	
xMEGA128_revD	
15.9.2010 17:27:04	
Sheet: 4/5	

